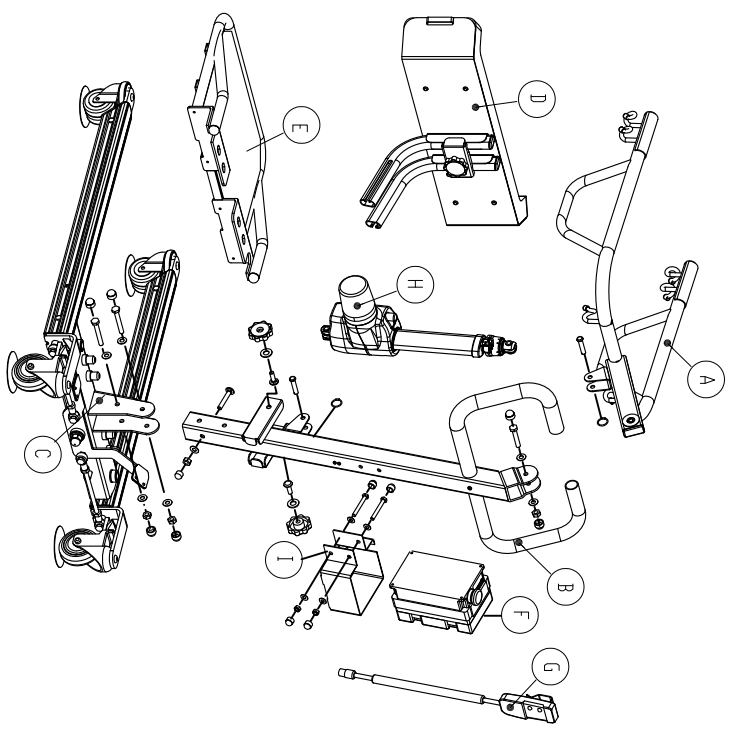
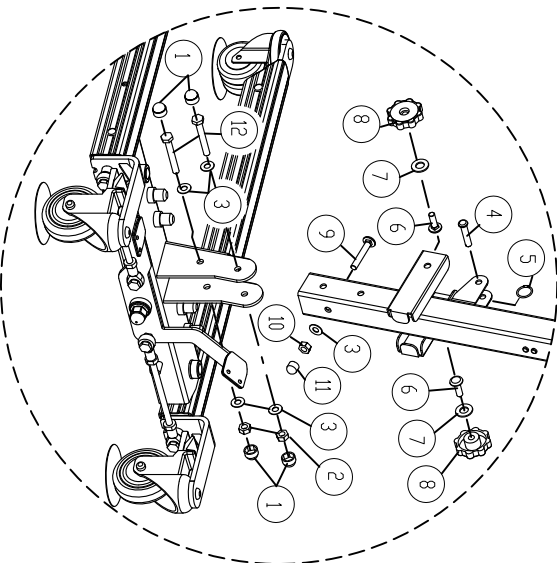
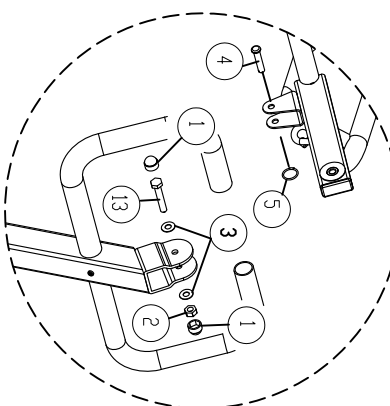
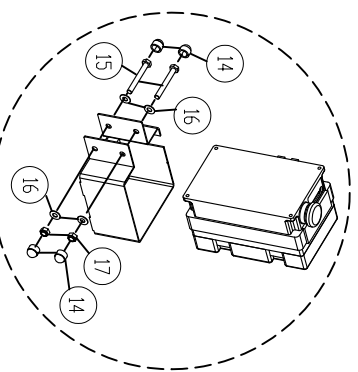


# SA600EL assemble explosion chart

Scale: 1.5:1



1.	Cap, M10	6
2.	Nut, M10	3
3.	Washer, M10	7
4.	Pin, $\phi 48L$	2
5.	Ring	2
6.	Bolt, 3/8" 1-1/4"L	2
7.	Washer, M12	2
8.	Knob nut, 3/8"	2
9.	Bolt, 3/8" 2-3/4"L	1
10.	Nut, 3/8"	1
11.	Cap, 3/8"	1
12.	Bolt, M10x75L	2
13.	Bolt, M10x55L	1
14.	Cap, M8	4
15.	Bolt, M8x65L	2
16.	Washer, M8	4
17.	Nut, M8	2

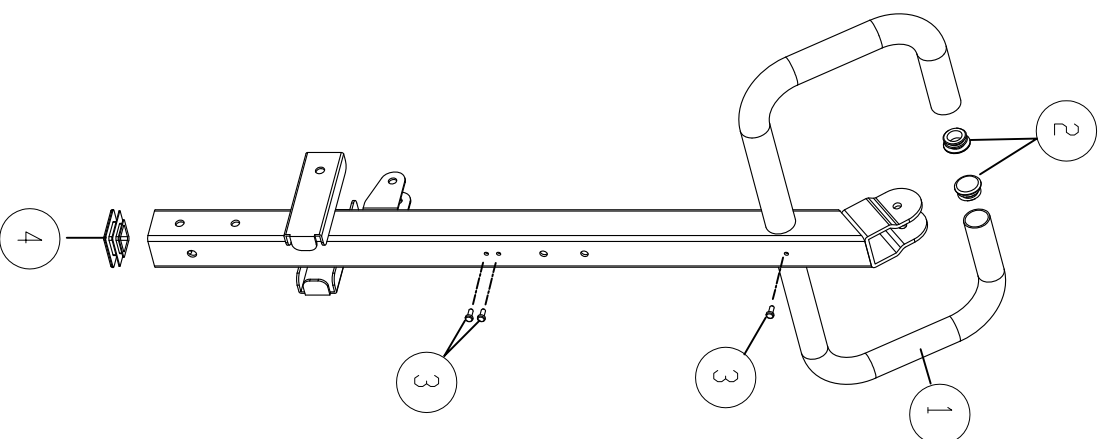
A.	Boom assemble	1
B.	Mast assemble	1
C.	Boom assemble	1
D.	Knee pad assemble	1
E.	Footrest assemble	1
F.	Legacy control box	1
G.	Pendant	1
H.	Actuator	1
I.	Bracket, Control box	1

2013-08-06

△	新發行	DESCRIPTION	Berton	DATE	DATE	DATE	EGN NO.
REV.	1-6	±0.1	DRN.				
	6-30	±0.2	DSN.				
TOL.	30-100	±0.3	CKD.			NONE	
	100-300	±0.4	APPD.				
Bestcare Medical CO., LTD.		NAME		SA600EL assemble		UNIT mm	
		DWG. NO.		Explosion chart		SCALE NONE	
		BY		DATE		REV. 0	
		DATE		DATE		SHEET 1/1	

# SA400EL/SA600EL Mast assemble explosion chart

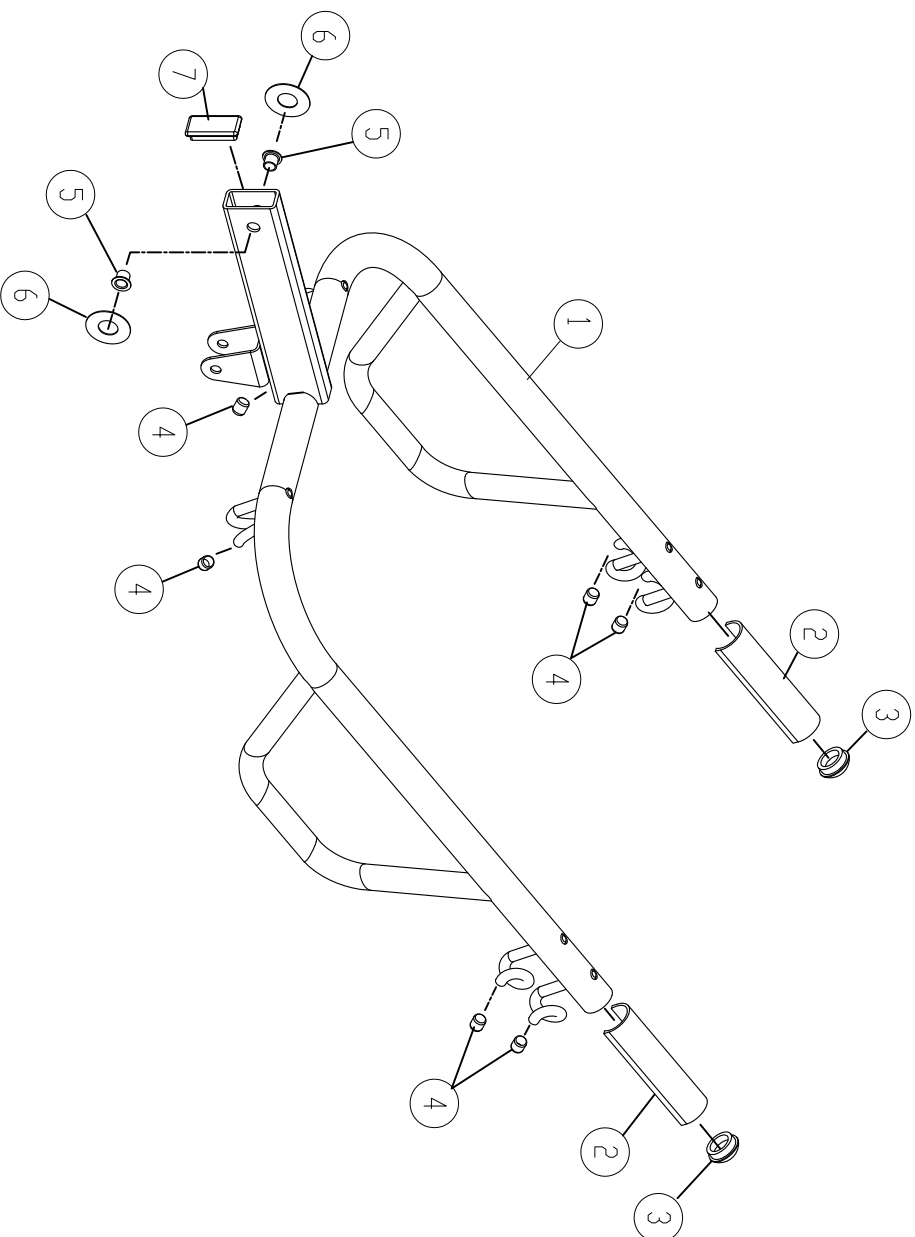
1.	Mast	1
2.	Cover, 1-1/4"	2
3.	Rivet	3
4.	Cover, 2"x2"	1



2013-08-06

△ 新發行 REV. DESCRIPTION 1-6 ±0.1 DRN. 6-30 ±0.2 DSN. 30-100 ±0.3 CKD. 100-300 ±0.4 APpd.		Berton BY DATE APPD. DATE MATERIAL FINISH NAME SA400EL/SA600EL Mast assemble	EGN NO. UNIT mm SCALE NONE
Bestcare Medical CO., LTD. DWG. NO. Explosion chart		SHEET 1/1	REV. 0

# SA600E/SA600EL BOOM assemble explosion chart

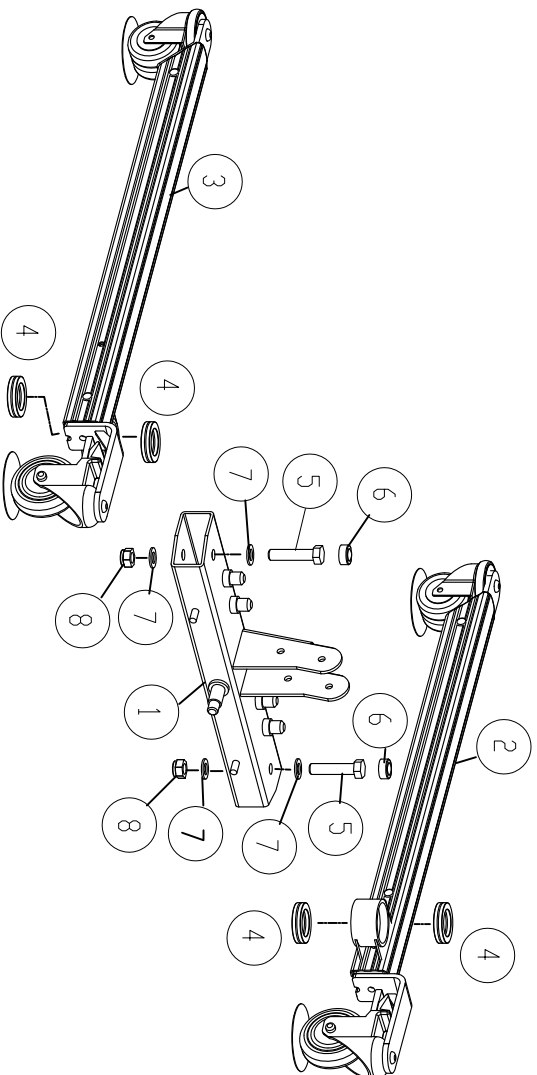


1.	BOOM	1
2.	Cover, Plastic	2
3.	Cap, 1-1/4"	2
4.	Cap, 3/8"	6
5.	Bushing	2
6.	Spacer	2
7.	Cap, 25x50	1

2013-08-06

		新發行		Berton	
REV.	DESCRIPTION	BY	DATE	APPD.	DATE
1-6	±0.1	DRN.			
6-30	±0.2	DSN.			
30-100	±0.3	CKD.			
100-300	±0.4	APPD.			
TOL.		NAME SA600E/SA600EL		FINISH NONE	
100-300 ±0.4 APPD.		SA600E assemble		UNIT mm	
DWG. NO.		Explosion chart		SCALE NONE	
Bestcare Medical CO., LTD.		REV. 0		SHEET 1/1	

# SA500/SA600 Base-1 assemble explosion chart

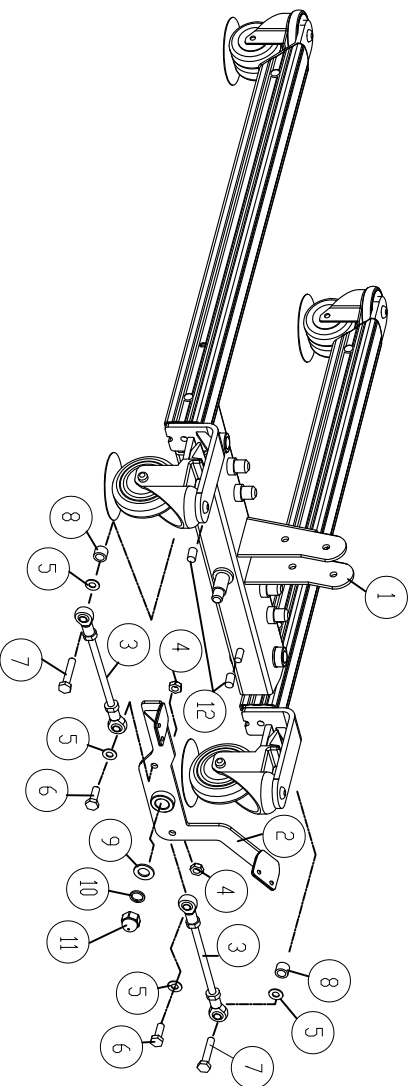


1.	Base	1
2.	Leg assemble,right	1
3.	Leg assemble,left	1
4.	Thrust ball bearing	4
5.	Bolt,M16x70L	2
6.	Cap,Rubber	2
7.	Washer,M16	4
8.	Nut,M16	2

2013-08-06

△ 新發行 1-6 6-30 30-100 100-300	REV.	DESCRIPTION	BY	DATE	APPD.	DATE	EGN.NO.
		±0.1	DRN.	Berton			
		±0.2	DSN.				
		±0.3	CKD.				
	±0.4	APPD.					
TOL.		NAME		FINISH		UNIT	
		SASAS500/SA600		NONE		mm	
		Base-1 assemble				SCALE	
						NONE	
Bestcare Medical CO., LTD. Explosion chart			DWG. NO.		REV.		
					0		
					SHEET		
					1/1		

# SA500/SA600 Base-2 assemble explosion chart

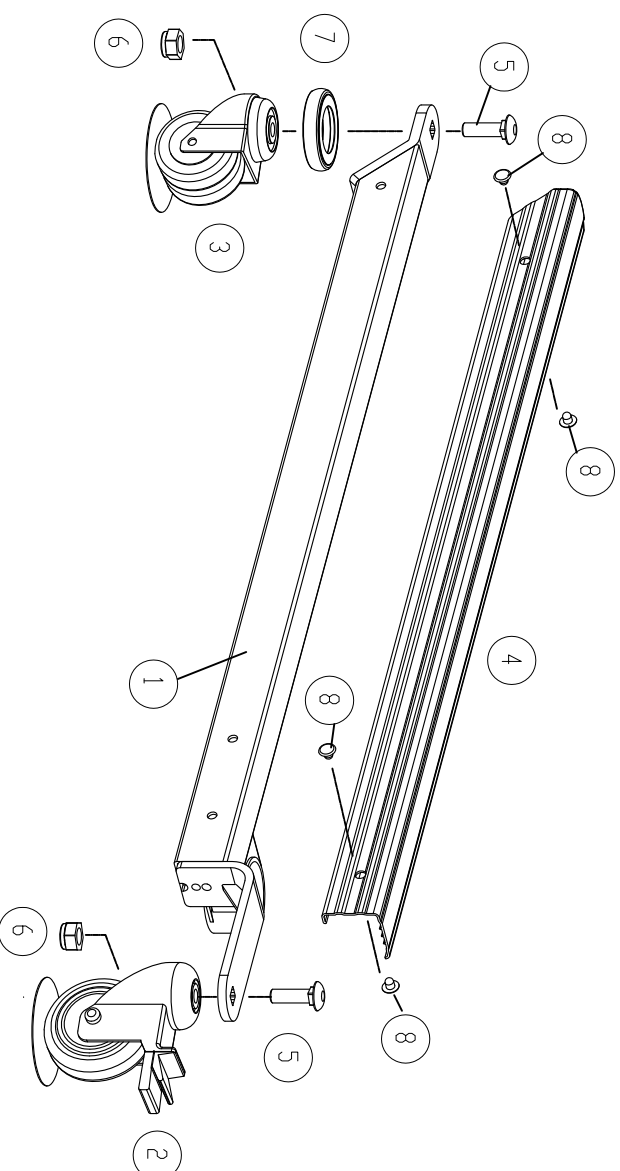


1.	Base assemble	1
2.	Adjusting Pedal	1
3.	Rod arm	2
4.	Nut, M10	2
5.	Washer, M10	4
6.	Bolt, M10x30L	2
7.	Bolt, M10x55L	2
8.	Tube, spacer	2
9.	Washer, $\phi 16$	1
10.	Spring washer, $\phi 16$	1
11.	Cap nut, M16	1
12.	Cap, 3/8"	1

2013-08-06

新發行		Berton			
REV.	DESCRIPTION	BY	DATE	APPD.	DATE
1-6	$\pm 0.1$ DRN.				
6-30	$\pm 0.2$ DSN.				
30-100	$\pm 0.3$ CKD.				
100-300	$\pm 0.4$ APPD.				
TOL.		NAME	SA500/SA600		
		Base-2 assemble			
		DWG. NO.	Explosion chart		
<b>Bestcare Medical CO., LTD.</b>					
		UNIT	mm		
		SCALE	NONE		
		REV.	0		
		SHEET	1/1		

# SA500/SA600 leg assemble-left explosion chart

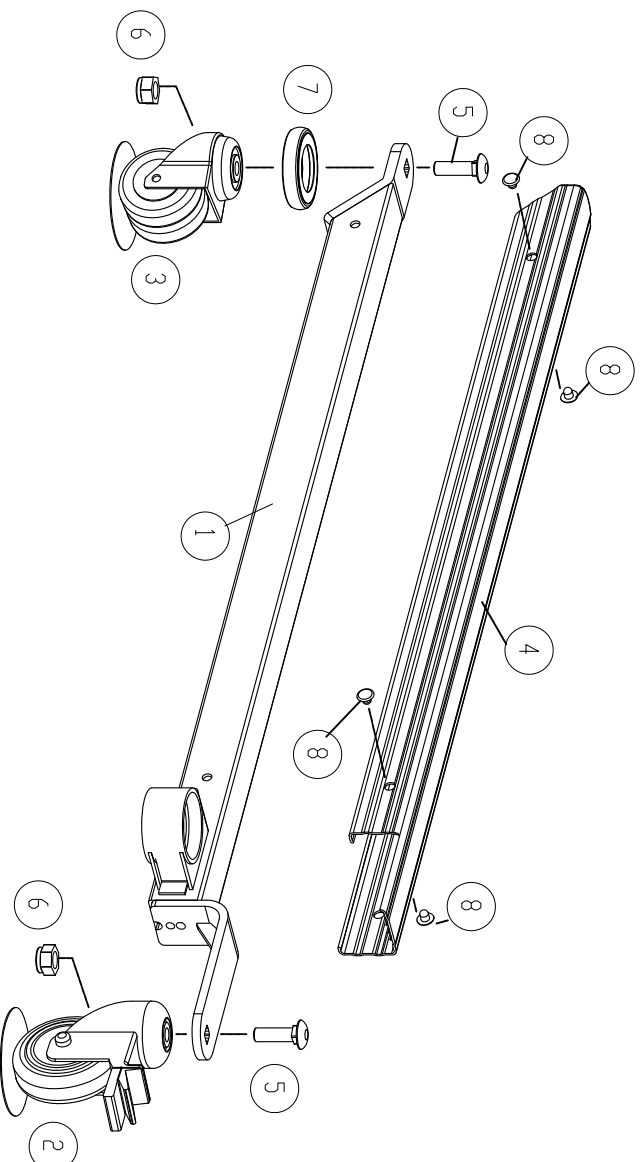


1.	Leg, left	1
2.	Castor, 4" brake	1
3.	Castor, 3"	1
4.	Cover, Pvc	1
5.	Bolt, 1/2"-1-3/4"	2
6.	Nut, 1/2"	2
7.	Bump	1
8.	Rivet	4

2013-08-06

△ 新發行 REV. DESCRIPTION 1-6 ±0.1 DRN. 6-30 ±0.2 DSN. 30-100 ±0.3 CKD. 100-300 ±0.4 APPD.		Berton BY DATE APPD. DATE		EGN NO.	
TOL. 30-100 ±0.3 CKD. 100-300 ±0.4 APPD.		MATERIAL FINISH NAME SA500/SA600 Leg assemble-left		UNIT mm SCALE NONE	
DWG. NO. Explosion chart				REV. 0 SHEET 1/1	
<b>Bestcare Medical CO., LTD.</b>					

# SA500/SA600 leg assemble-right explosion chart



1.	Leg, right	1
2.	Castor, 4" brake	1
3.	Castor, 3"	1
4.	Cover, PVC	1
5.	Bolt, 1/2"-1-3/4"	2
6.	Nut, 1/2"	2
7.	Bump	1
8.	Rivet	4

2013-08-06

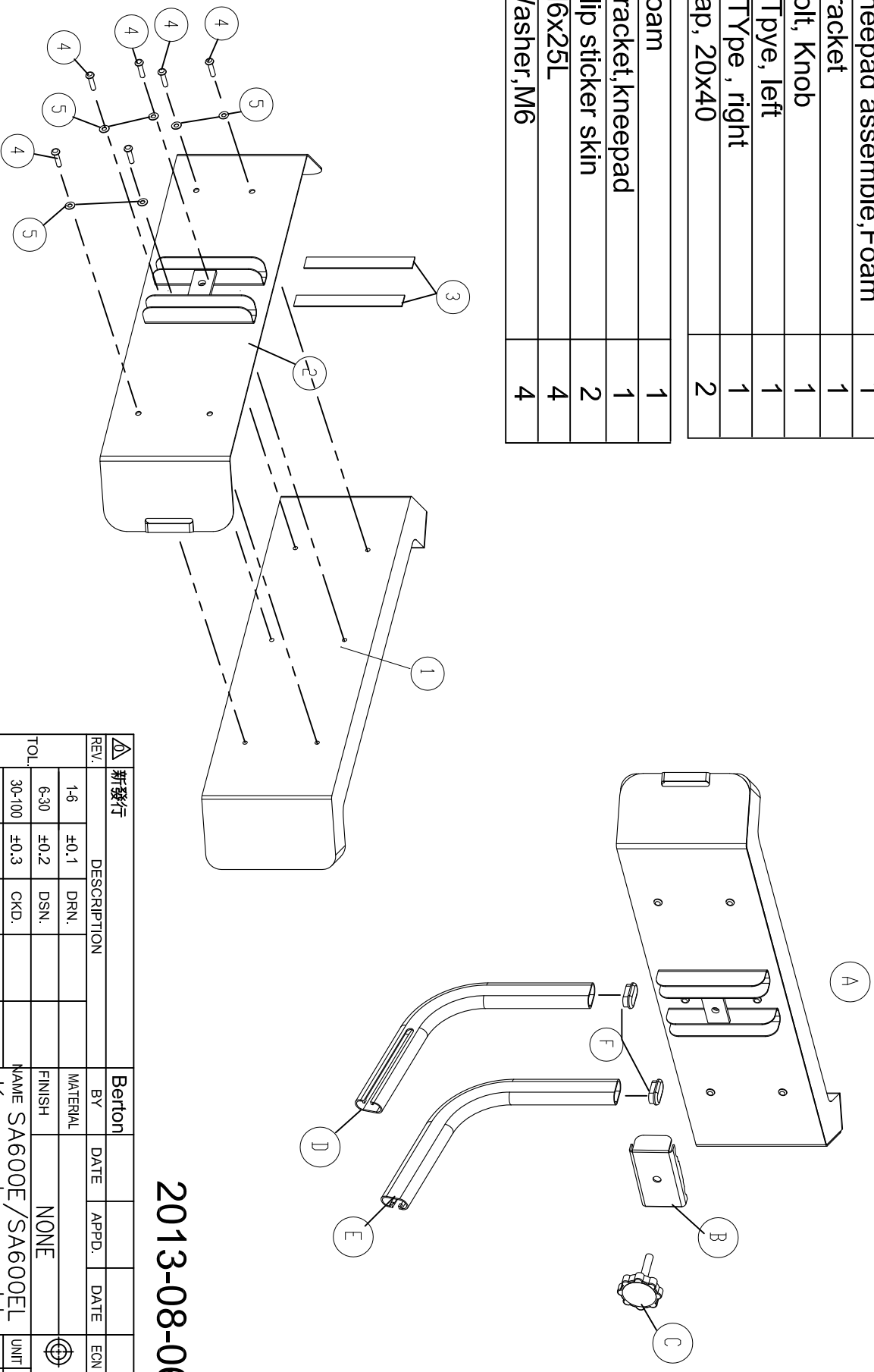
新發行		<b>Berton</b>		EGN NO.	
REV.	DESCRIPTION	BY	DATE	APPD.	DATE
1-6	±0.1	DRN.			
6-30	±0.2	DSN.			NONE
30-100	±0.3	CKD.			
100-300	±0.4	APPD.			
<b>Bestcare Medical CO., LTD.</b>		NAME SA500/SA600		UNIT mm	
DWG. NO. Explosion chart		Leg assemble-right		SCALE NONE	
				REV. 0	
				SHEET 1/1	

# SA600E/SA600EL Kneepad assemble explosion chart

A.	Kneepad assemble,Foam	1
B.	Bracket	1
C.	Bolt, Knob	1
D.	L Tpye, left	1
E.	L Tpye , right	1
F.	Cap, 20x40	2

1.	Foam	1
2.	Bracket,kneepad	1
3.	Slip sticker skin	2
4.	M6x25L	4
5.	Washer,M6	4

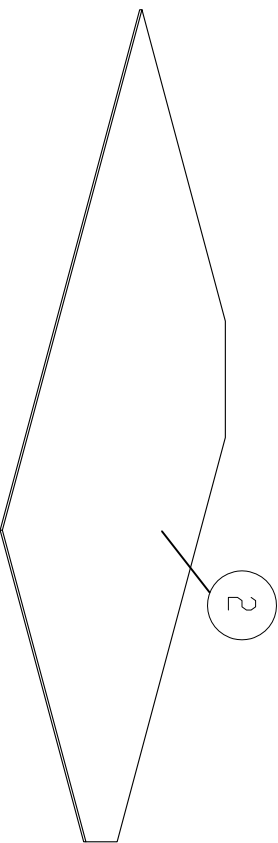


2013-08-06

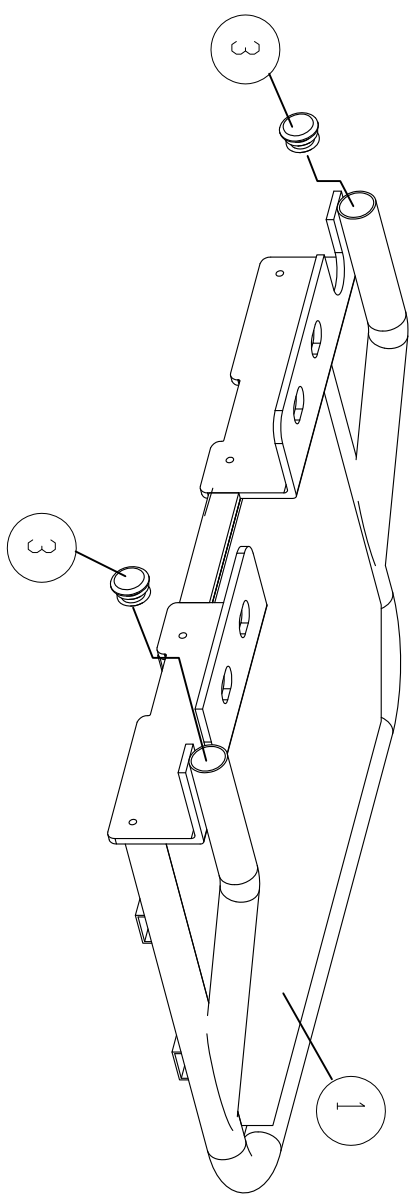
△ 新發行	REV.	DESCRIPTION	Berton	DATE	APPD.	DATE	EGN NO.
	1-6	±0.1	DRN.				
	6-30	±0.2	DSN.				
	30-100	±0.3	CKD.				
	100-300	±0.4	APPD.				
TOL.		NAME SA600E/SA600EL		FINISH		UNIT mm	
		Kneepad assemble		NONE		SCALE NONE	
Bestcare Medical CO., LTD.			DWG. NO.		REV. 0		
			Explosion chart		SHEET 1/1		



# SA600E/SA600EL Footrest assemble explosion chart



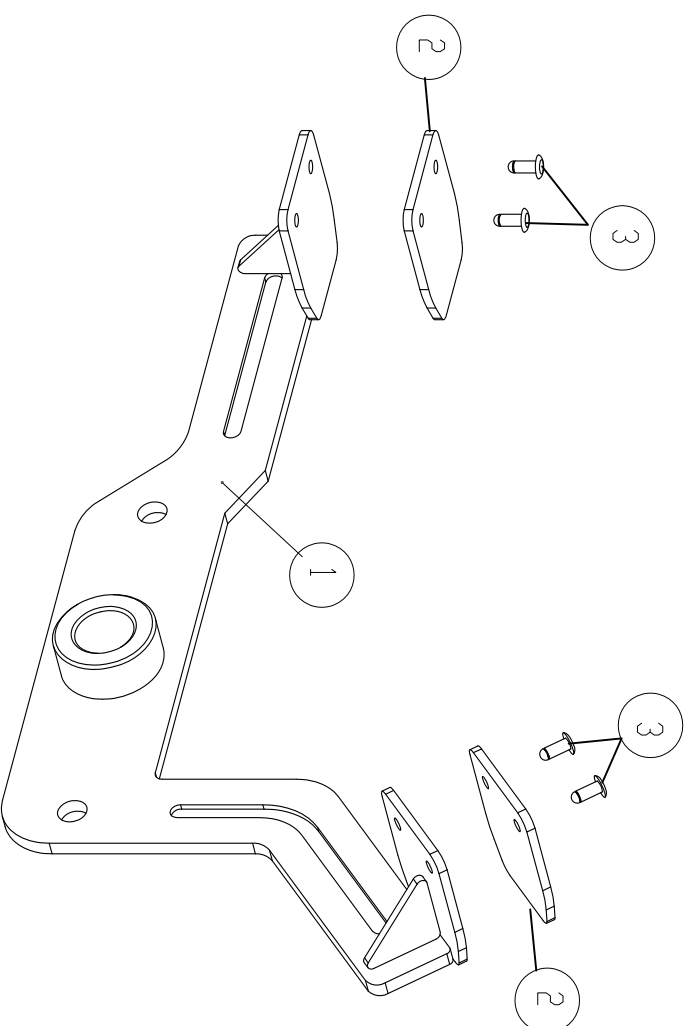
1.	Footrest	1
2.	Slip sticker skin	1
3.	Cap, 1"	2



2013-08-06

新發行		Berton			
REV.	DESCRIPTION	BY	DATE	APPD.	DATE
1-6	±0.1	DRN.			
6-30	±0.2	DSN.			
30-100	±0.3	CKD.			
100-300	±0.4	APPD.			
TOL.		NAME	SA600E/SA600EL		
		FINISH	NONE		
		UNIT	mm		
		SCALE	NONE		
<b>Bestcare Medical CO., LTD.</b>		DWG. NO.	Explosion chart		
		REV.	0		
		SHEET	1/1		

# Adjusting pedal assemble explosion chart



1	Adjusting pedal frame	1
2	Slip pedal	2
3	Riviet	4

2013-08-06

新發行		REV.	DESCRIPTION	BY	DATE	APPD.	DATE	EQN NO.	
1-6	±0.1	DRN.		MATERIAL					
6-30	±0.2	DSN.		FINISH	NONE				
30-100	±0.3	CKD.		NAME	Adjusting pedal				
100-300	±0.4	APPD.		DWG. NO.	Explosion chart				
<b>Bestcare Medical CO., LTD.</b>				UNIT	mm	SCALE	NONE	REV.	0
				SHEET	1/1				

