



New Products offering 2014

BESTMOVE™

STA400 | STANDING TRANSFER AID

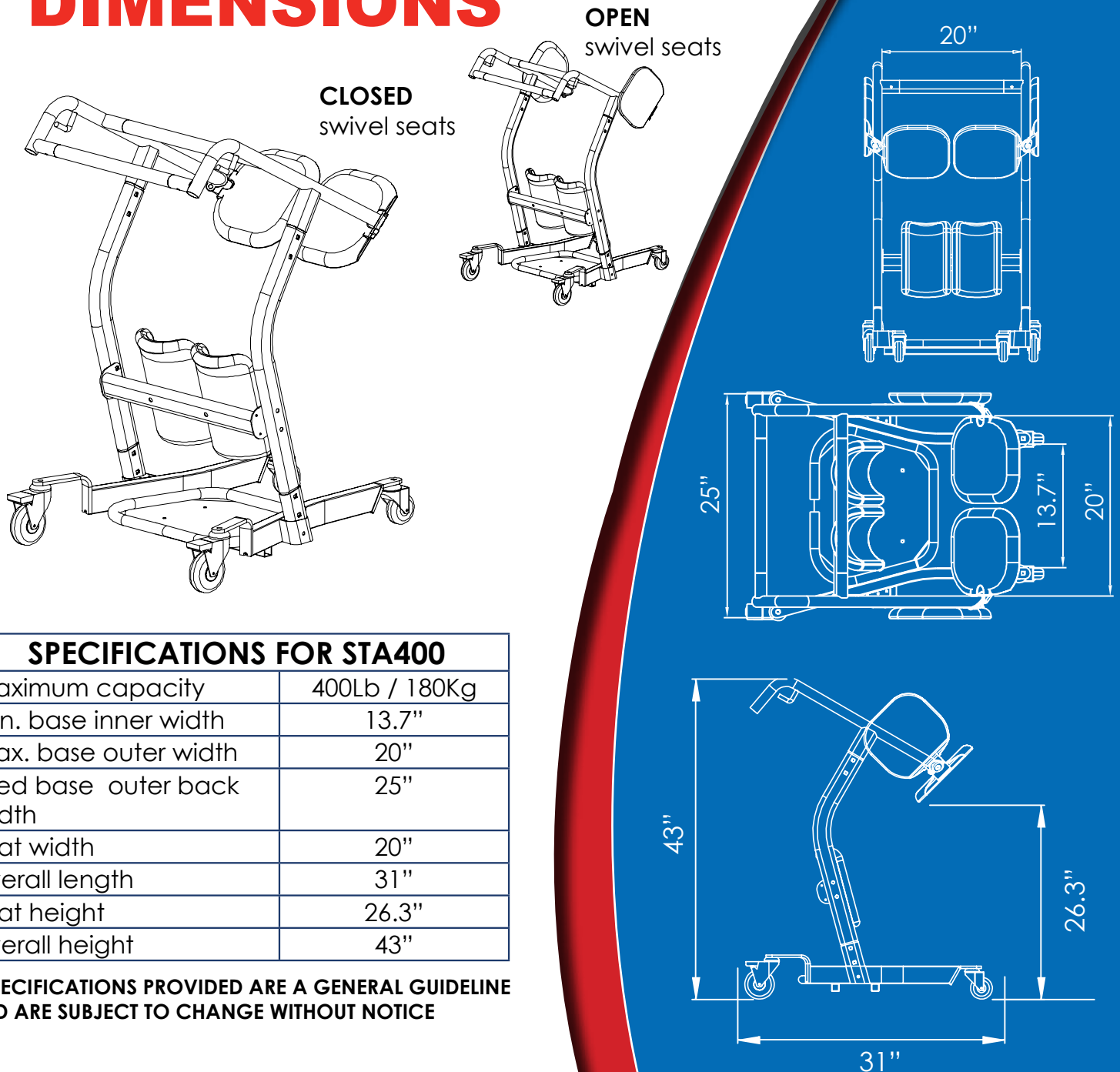
The BestMove™ STA400 is your standing transfer solution. Transfers are quick and require minimal assistance. Fold-up seats and an easy grip crossbar allows the user to actively participate in a transfer process. Tapered legs allow unit to squeeze in between tight spaces.



FEATURES

- 400 lb capacity
- Shin brace for secure transports
- Support strap available - attachment hooks for optional side support and back strap
- Affordable alternative to electric stand assists
- First choice for any fall prevention program

DIMENSIONS



SPECIFICATIONS FOR STA400

maximum capacity	400Lb / 180Kg
min. base inner width	13.7"
max. base outer width	20"
fixed base outer back width	25"
seat width	20"
overall length	31"
seat height	26.3"
overall height	43"

* SPECIFICATIONS PROVIDED ARE A GENERAL GUIDELINE AND ARE SUBJECT TO CHANGE WITHOUT NOTICE

BESTMOVE™

STA450 | STANDING TRANSFER

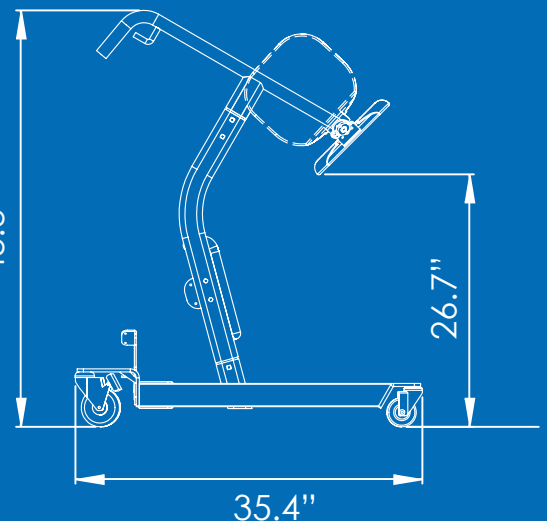
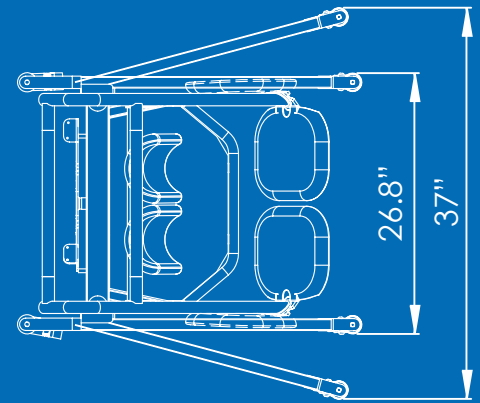
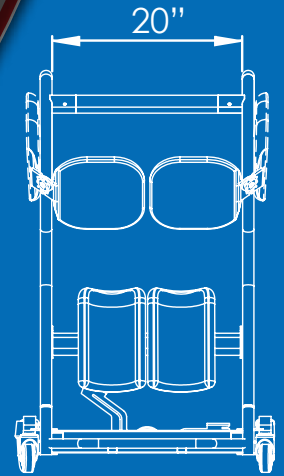
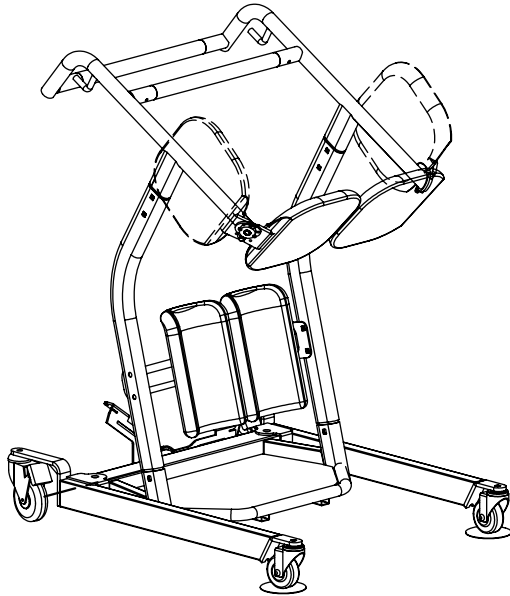
The BestMove™ is your best choice for fall prevention and is also a vital part of reducing lifting injuries while at the same time promoting mobility for the patient. Offers ample weight capacity at 450 lb max. Includes an adjustable base to provide clearance around common obstacles such as recliners allowing access to patients.



FEATURES

- 450 lb. Capacity
- Dual shin pads for extra support
- Optional back support strap available
- Simple solution to compliment your electric stand assist lifters

DIMENSIONS



SPECIFICATIONS FOR STA450

maximum capacity	450 lb. / 205 kg
minimum base width	26.8"
open base width	37"
overall height	43.3"
minimum seat height	26.7"
seat width	20"
overall length	35.4"
shin pads	yes
optional support strap	yes
optional seat locks	yes

* SPECIFICATIONS PROVIDED AS GENERAL GUIDELINE AND ARE SUBJECT TO CHANGE WITHOUT NOTICE

BESTSTAND™

SA400 | SIT-TO-STAND

The U-shaped boom with 6 point sling attachment will meet the specific needs of the patient with maximum comfortability. The BestStand™ SA400 has padded comfort single piece adjustable kneepad. A removable footplate is another great feature.

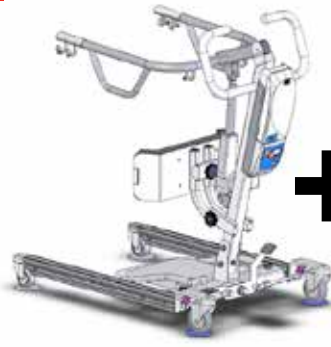
- Up to 400lb weight capacity
- Available with new Bestcare Performance Electronics



| SA400EL



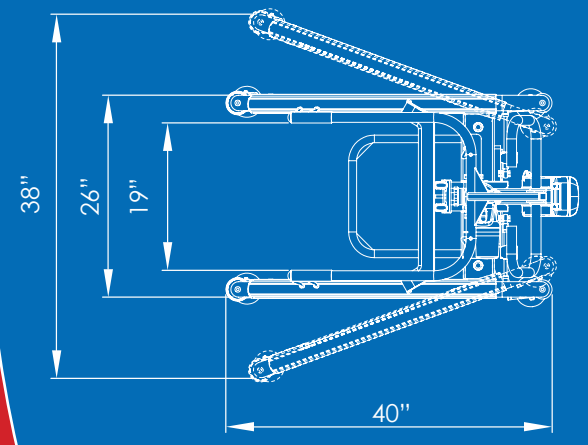
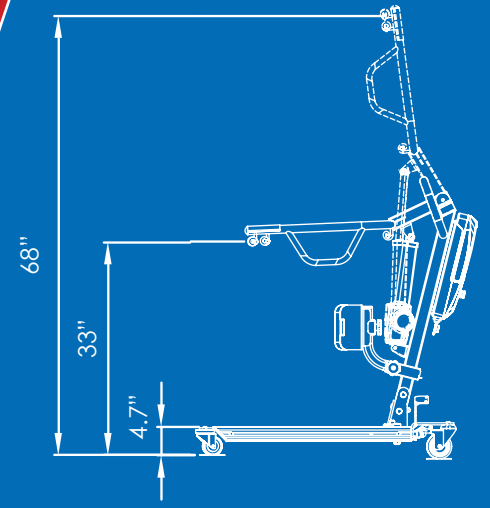
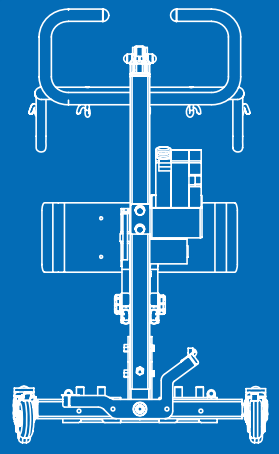
| SA400E-D



NEW!
CONTINUOUS PERFORMANCE

*charger shown
24/7 ELECTRONICS

| DIMENSIONS



SPECIFICATIONS FOR SA400	
maximum capacity	400Lb / 180Kg
base legs length	40"
internal width	19"
external width	26"
expandable internal width	38"
base height	4.7"
min. lifting height	33"
max. lifting height	68"

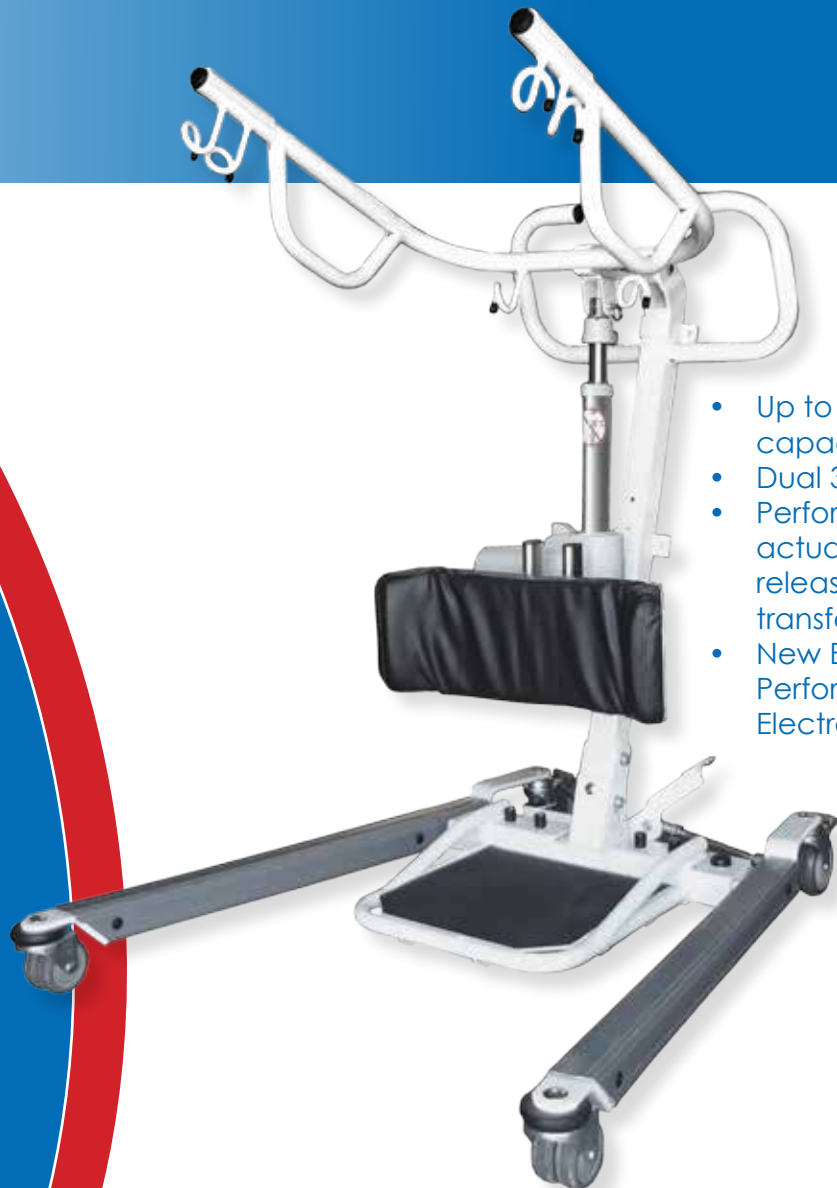
*** SPECIFICATIONS PROVIDED ARE A GENERAL GUIDELINE AND ARE SUBJECT TO CHANGE WITHOUT NOTICE**

BESTSTAND™

NEW!

SA500 | SIT-TO-STAND

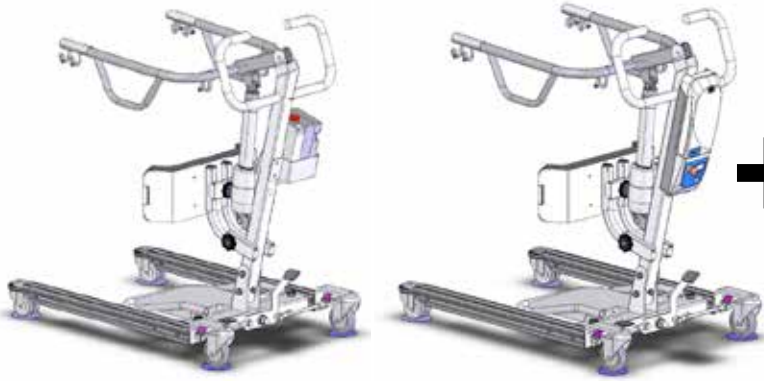
This 500lb Sit-to-Stand patient lift has higher weight capacity than the SA400. With its 3" dual front casters it ensures safe and easy transfers. Our performance class actuator also include an emergency quick release. BestCare also offers our continuous operation upgrade.



- Up to 500lb weight capacity
- Dual 3" front castors
- Performance class actuator with quick release for faster transfers
- New Bestcare Performance Electronics

SA500EL

SA500E-D



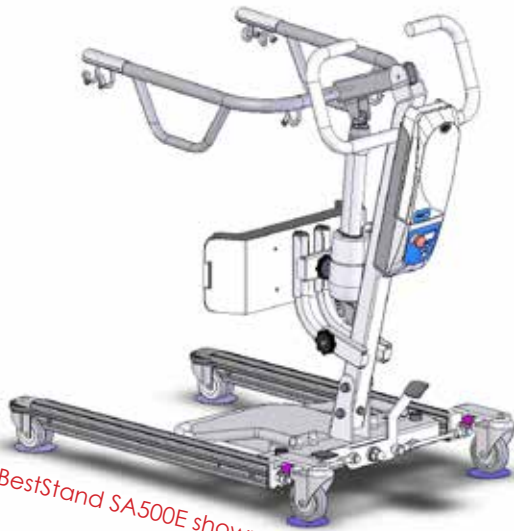
NEW!

**CONTINUOUS
PERFORMANCE**

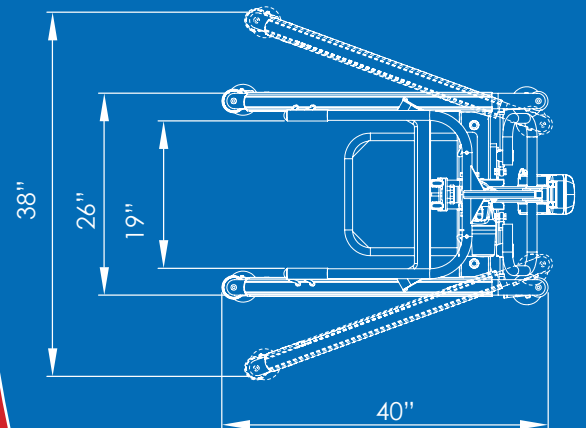
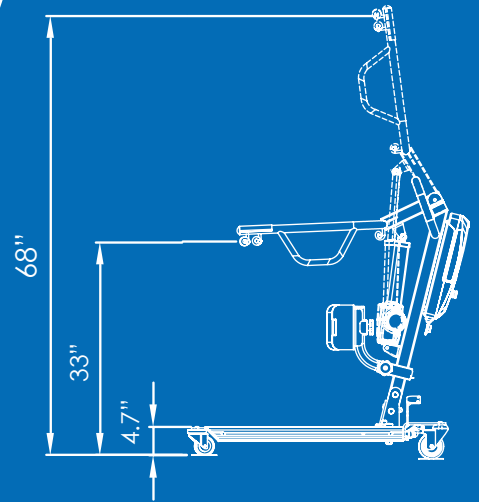
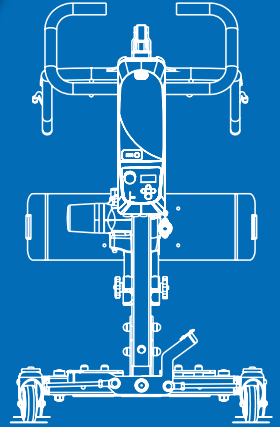


*charger shown
24/7 ELECTRONICS

DIMENSIONS



**BestStand SA500E shown*



SPECIFICATIONS FOR SA500

maximum capacity	500Lb / 230Kg
base legs length	40"
external width	26"
expandable internal width	38"
base height	4.7"
min. lifting height	33"
max. lifting height	68"
internal width	19"

*** SPECIFICATIONS PROVIDED ARE A GENERAL GUIDELINE
AND ARE SUBJECT TO CHANGE WITHOUT NOTICE**

BESTSTAND™

SA600 | SIT-TO-STAND

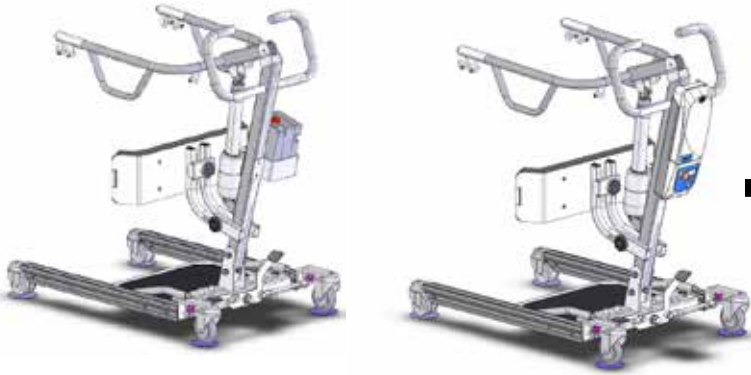
The SA600 have extra wide adjustable kneepads that will help meet the needs of a wider range of patient needs. To support the extra weight, the SA600 has a heavy duty boom to help lift and support the patient for smoother and safer transfers. The emergency quick release make the SA600 the safest lift in any situation.

- Up to **600lb** weight capacity
- Performance class actuator with quick release for faster transfers
- Available with new Bestcare Performance Electronics
- Wide adjustable kneepad

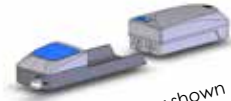


| SA600EL

| SA600E-D



NEW!
CONTINUOUS
PERFORMANCE

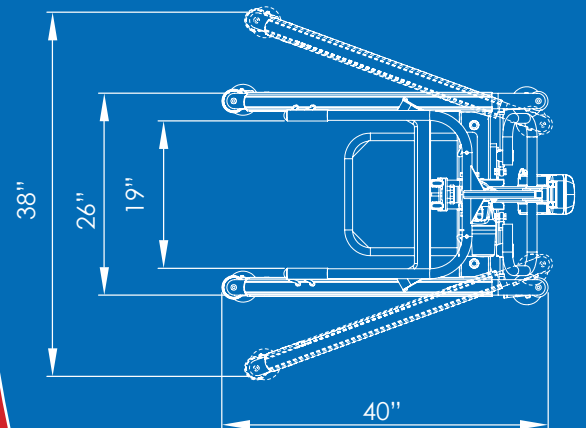
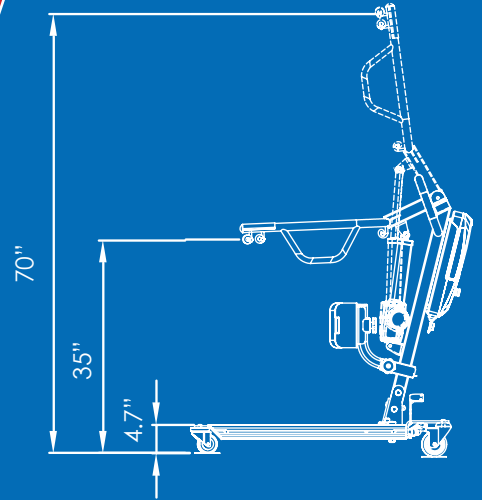
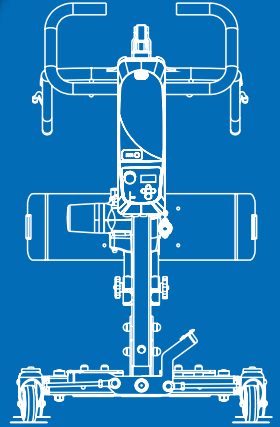


*charger shown
24/7 ELECTRONICS

| DIMENSIONS



**BestStand SA600E shown*



SPECIFICATIONS FOR SA600	
maximum capacity	600Lb / 280Kg
base legs length	40"
external width	26"
expandable internal width	38"
base height	4.7"
min. lifting height	35"
max. lifting height	70"
internal width	19"

*** SPECIFICATIONS PROVIDED ARE A GENERAL GUIDELINE AND ARE SUBJECT TO CHANGE WITHOUT NOTICE**

BESTLIFT™

PL400 | FULL BODY PATIENT LIFT

Maximum patient safety and comfort are built into this highly maneuverable workhorse. Simple to operate with a unique emergency lowering mechanism. Equipped with a six-point spreader bar to distribute weight evenly and for superior sling application.



- 6 point spreader bar
- **400lb** capacity
- Electric kit upgrade
- Open / Close base



| PL400EL

| PL400E-D



NEW!

**CONTINUOUS
PERFORMANCE**



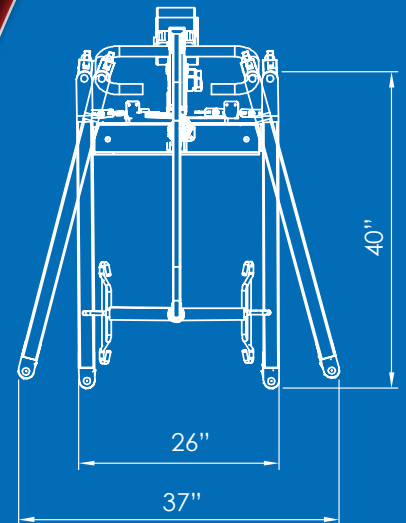
**charger shown*

24/7 ELECTRONICS

| DIMENSIONS

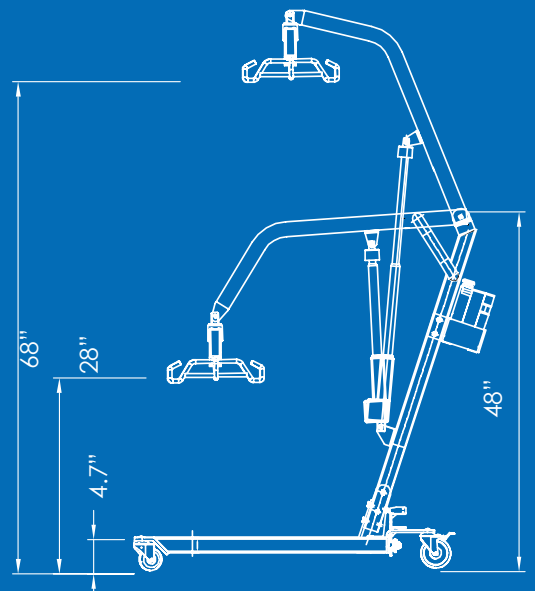


**BestLift™ PL400E shown*



SPECIFICATIONS FOR PL400	
maximum capacity	400Lb / 180Kg
base legs length	40"
base closed external width	26"
based open external width	37"
mast height	48"
base height	4.7"
min. lifting height	28"
max. lifting height	68"

*** SPECIFICATIONS PROVIDED ARE A GENERAL GUIDELINE AND ARE SUBJECT TO CHANGE WITHOUT NOTICE**



BESTLIFT™

NEW!

PL500 | FULL BODY PATIENT LIFT

The BestLift™ PL500 with its 4.7" base height will fit under shorter beds than patient lifts were ever able to before. Reducing the distance between bed and patient lift for simpler, safer transfers is Bestcare's goal. By adapting to the changing needs in facilities, Bestcare will continue to provide maximum safety and dependability in our patient lifts.



- 2 point spreader bar
- **500lb** capacity
- Dual front castors
- Electric upgrade to 24/7 electronics

| PL500EL

| PL500E-D



NEW!

CONTINUOUS PERFORMANCE



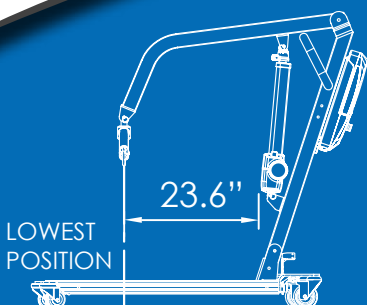
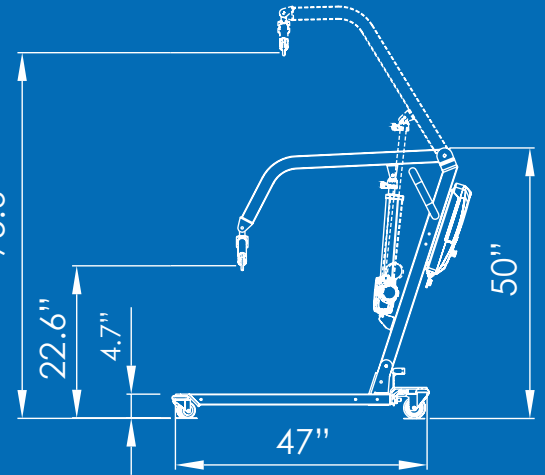
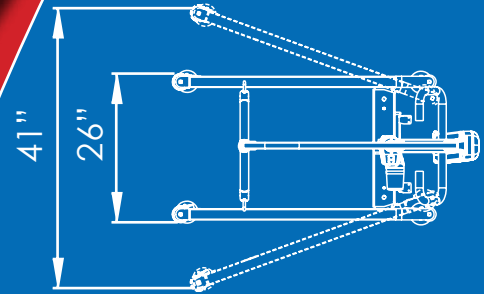
*charger shown
24/7 ELECTRONICS

| DIMENSIONS

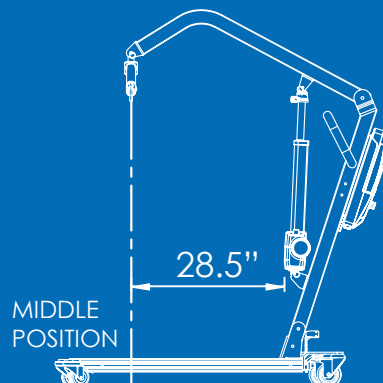
SPECIFICATIONS FOR PL500

maximum capacity	500Lb / 230Kg
base legs length	46.8"
base closed external width	26"
based open external width	41"
mast height	50"
base height	4.7"
min. lifting height	22.4"
max. lifting height	75.4"
distance from actuator (lowest)	23.6"
distance from actuator (middle)	28.5"
distance from actuator (highest)	9.8"

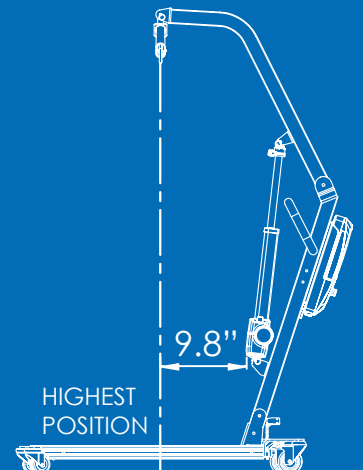
*** SPECIFICATIONS PROVIDED ARE A GENERAL GUIDELINE AND ARE SUBJECT TO CHANGE WITHOUT NOTICE**



LOWEST POSITION



MIDDLE POSITION



HIGHEST POSITION

BESTLIFT™

PL600 | FULL BODY PATIENT LIFT

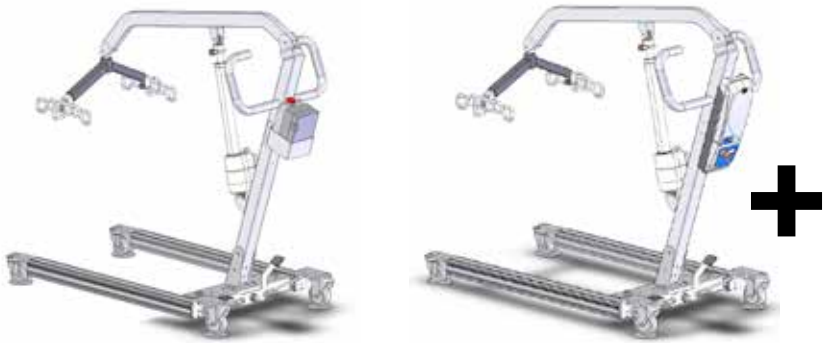
Designed to provide the perfect combination of patient safety, weight capacity and maneuverability. This lift is manufactured to meet the special needs of the bariatric patient population in hospitals and nursing homes. Caregivers appreciate the ease of operation and patients are reassured by the stability and overall comfort provided.



- 6 point spreader bar
- **600lb** capacity
- Dual front castors
- Electric

| PL600EL

| PL600E-D



NEW!
CONTINUOUS PERFORMANCE

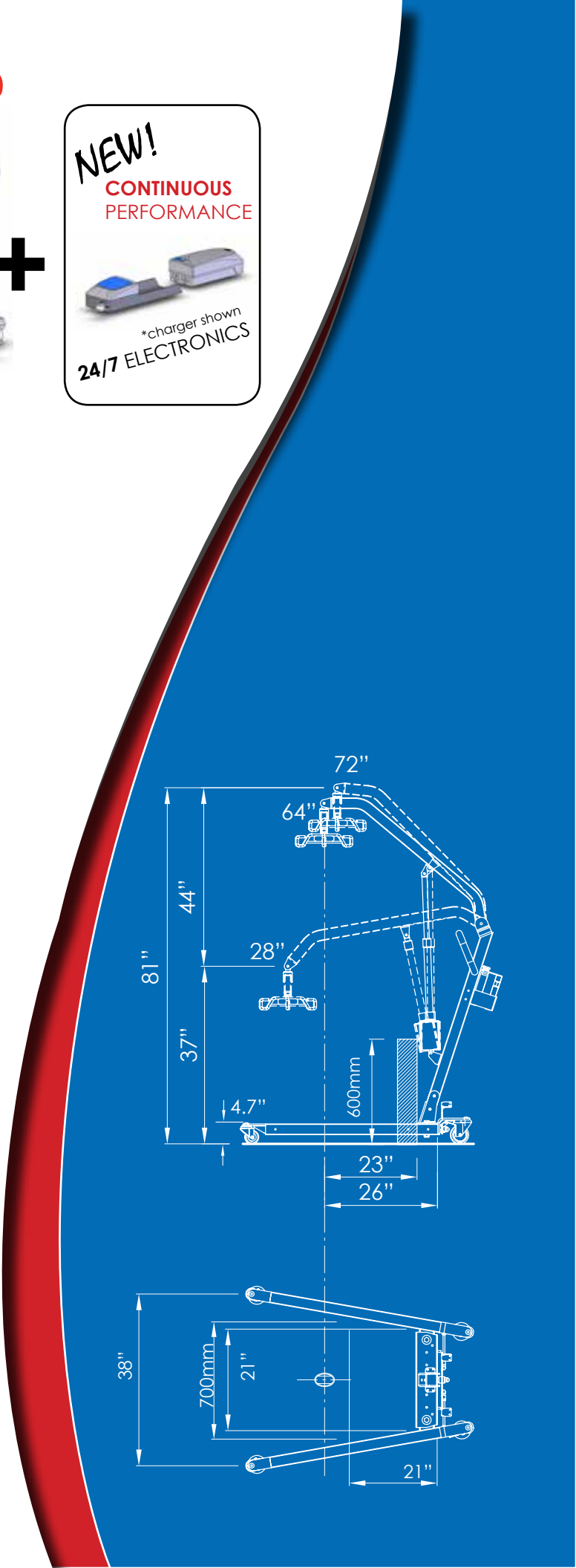
*charger shown
24/7 ELECTRONICS

| DIMENSIONS



SPECIFICATIONS FOR PL600	
maximum capacity	600lb / 280Kg
spreader bar highest position	72"
spreader bar max. reach	64"
spreader bar lowest position	28"
max. reach at 600mm	23"
max. reach from base	26"
reach from base with legs spread to 700mm	21"
max. height of CSP.	81"
min. height of CSP.	37"
hoist range	44"
max. external width	38"
min. internal width	21"

*** SPECIFICATIONS PROVIDED ARE A GENERAL GUIDELINE AND ARE SUBJECT TO CHANGE WITHOUT NOTICE**



BESTLIFT™

PL400H/HE | FULL BODY PATIENT LIFT

The innovative BestLift™ PL400H/HE home care lifts are designed to allow manual or electric use. The hydraulic unit may be upgraded to electric anytime with an easy-to-attach electric kit. Built to last, and yet extremely affordable. Ask your local dealer about the Medicare options available for this lift.



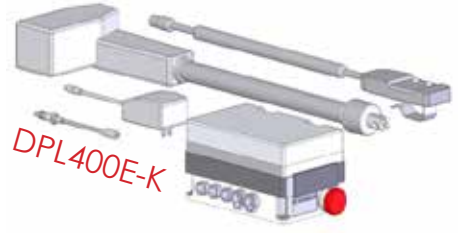
- 6 point spreader bar
- **400lb** capacity
- Electric
- Medicare options available
- No tool required for assembly



HYDRAULIC PUMP

- 6 point spreader bar
- **400lb** capacity
- Hydraulic
- Medicare options available

UPGRADE ELECTRONIC KIT



DPL400E-K

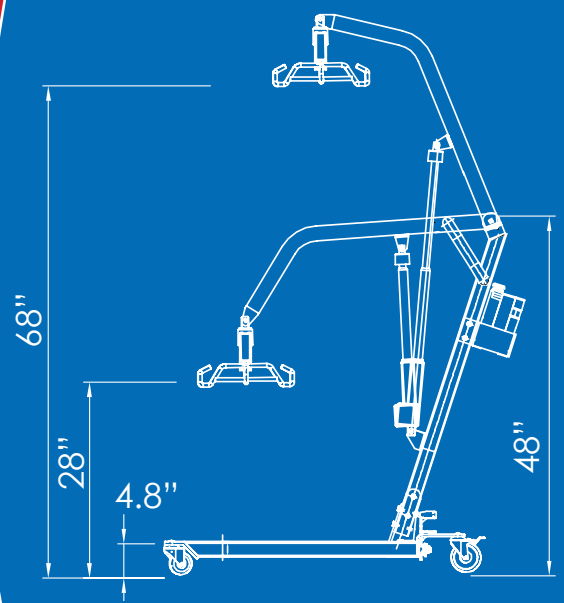
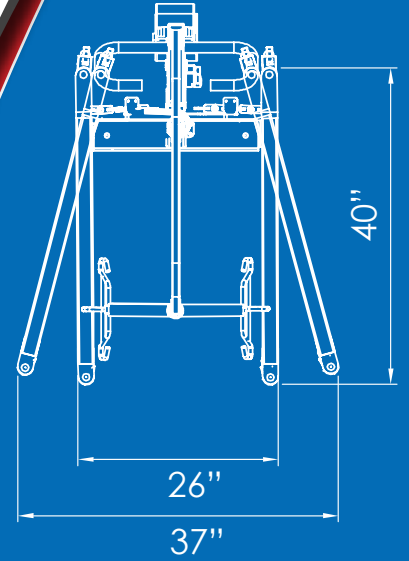
SPECIAL FEATURE

- *EASY TO DISASSEMBLE FOR TRANSPORTING
- *NO TOOLS NEEDED

DIMENSIONS

SPECIFICATIONS FOR PL400H/HE	
maximum capacity	400Lb / 180Kg
base legs length	40"
base closed external width	26"
base open external	37"
mast height	48"
base height	4.8"
min. lifting height	28"
max. lifting height	68"

* SPECIFICATIONS PROVIDED ARE A GENERAL GUIDELINE AND ARE SUBJECT TO CHANGE WITHOUT NOTICE



BESTLIFT™

NEW!

APL350 | ALUMINUM PATIENT LIFT

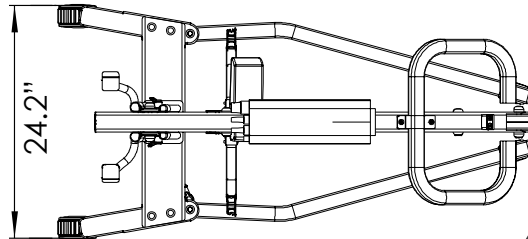
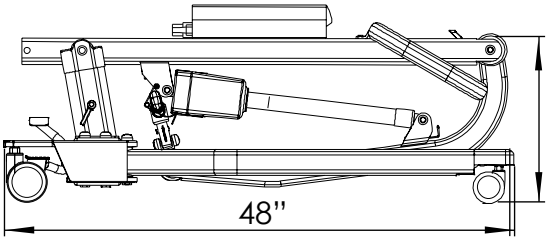
Our new light weight 350Lb. aluminum patient lift is a great solution for any patient. It's foldable ability makes it the perfect lift in any situation, at anytime, at any place.



- 2 point spreader bar
- 350 pound capacity
- Extra wide base opening
- Light weight
- Foldable and Transportable
- Available in Electric or Hydraulic
- Optional airline approved wheeled carrying bag

| FOLDED DIMENSIONS

KEY DIMENSIONS FOR APL350	
length	48"
width	24.2"
height	15.6"



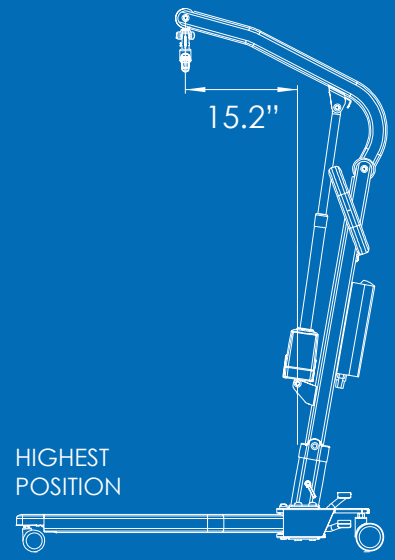
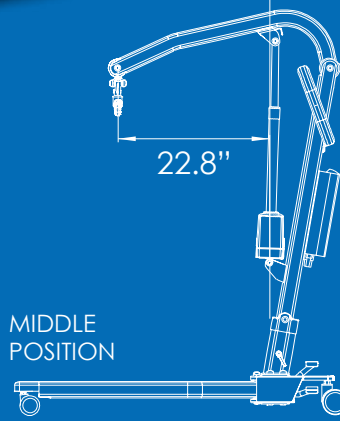
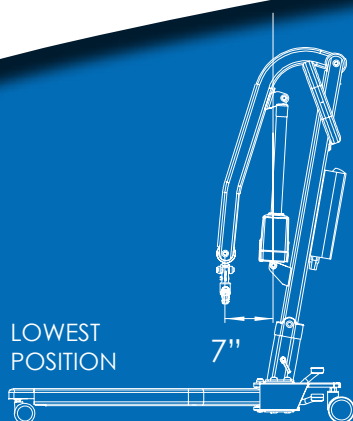
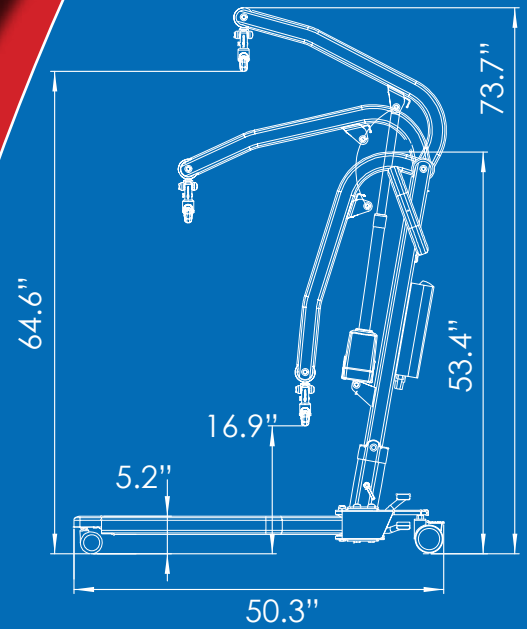
| PORTABLE BAG



| DIMENSIONS

KEY DIMENSIONS FOR THE APL350	
maximum capacity	350Lb
base legs length	50.3"
maximum height	73.7"
mast height	53.4"
base height	5.2"
min. lifting height	16.9"
max. lifting height	64.6"
distance from actuator (lowest)	7"
distance from actuator (middle)	22.8"
distance from actuator (highest)	15.2"

* SPECIFICATIONS PROVIDED ARE A GENERAL GUIDELINE AND ARE SUBJECT TO CHANGE WITHOUT NOTICE



BESTLIFT™

NEW!

PL500 | FULL BODY PATIENT LIFT

The BestLift™ PL500 with it's 4.7" base height will fit under shorter beds than patient lifts were ever able before. Reducing the distance between bed and patient lift for simpler, safer transfers is Bestcare's goal. By adapting to the changing needs in facilities, Bestcare will continue to provide maximum safety and dependability in our patient lifts.



- 2 point spreader bar
- **500lb** capacity
- Dual front castors
- Electric upgrade to 24/7 electronics

| **PL500EL**

| **PL500E-D**



NEW!

**CONTINUOUS
PERFORMANCE**



*charger shown
24/7 ELECTRONICS

| **DIMENSIONS**

Key dimensions of PL500		
maximum capacity	500Lb / 230Kg	
base legs length	47"	
base closed external width	26"	
based open external width	41"	
mast height	50"	
base height	4.7"	
min. lifting height	22.6"	
max. lifting height	75.6"	
net weight	PL500E	110Lb / 50Kg
shipping weight	PL500E	161Lb / 73Kg
net weight	PL500EL	110Lb / 50Kg
shipping weight	PL500EL	161Lb / 73Kg
net weight	PL500E-D	124Lb / 56Kg
shipping weight	PL500E-D	155Lb / 79Kg

*** SPECIFICATIONS PROVIDED ARE A GENERAL GUIDELINE AND ARE SUBJECT TO CHANGE WITHOUT NOTICE**

