

# BESTLIFT™

## PL600 | FULL BODY PATIENT LIFT

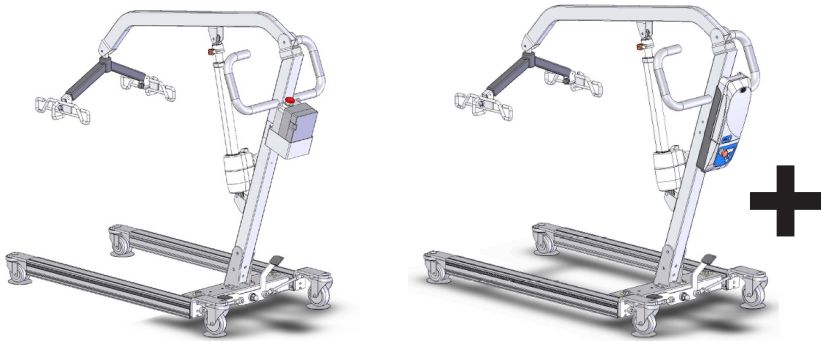
Designed to provide the perfect combination of patient safety, weight capacity and maneuverability. This lift is manufactured to meet the special needs of the bariatric patient population in hospitals and nursing homes. Caregivers appreciate the ease of operation and patients are reassured by the stability and overall comfort provided.



- 6 point spreader bar
- **600lb** capacity
- Dual front castors
- Electric

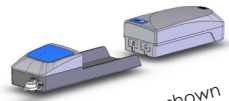
## | PL600EL

## | PL600E-D



**NEW!**

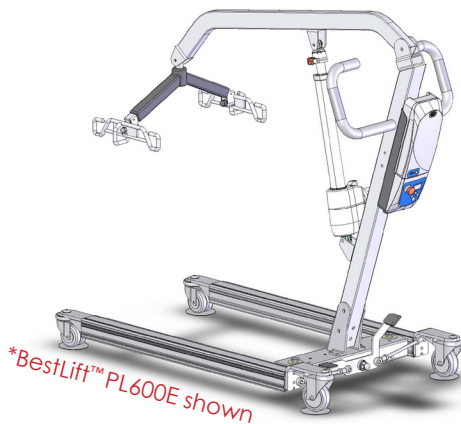
**CONTINUOUS  
PERFORMANCE**



\*charger shown

**24/7 ELECTRONICS**

## | DIMENSIONS



SPECIFICATIONS FOR PL600	
maximum capacity	600lb / 280Kg
spreader bar highest position	72"
spreader bar max. reach	64"
spreader bar lowest position	28"
max. reach at 600mm	23"
max. reach from base	26"
reach from base with legs spread to 700mm	21"
max. height of CSP.	81"
min. height of CSP.	37"
hoist range	44"
max. external width	38"
min. internal width	21"

**\* SPECIFICATIONS PROVIDED ARE A GENERAL GUIDELINE AND ARE SUBJECT TO CHANGE WITHOUT NOTICE**

