

BESTLIFT™

NEW!

PL500 | FULL BODY PATIENT LIFT

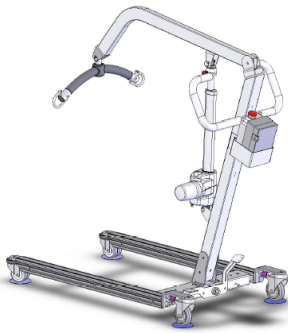
The BestLift™ PL500 with it's 4.7" base height will fit under shorter beds than patient lifts were ever able before. Reducing the distance between bed and patient lift for simpler, safer transfers is Bestcare's goal. By adapting to the changing needs in facilities, Bestcare will continue to provide maximum safety and dependability in our patient lifts.



- 2 point spreader bar
- **500lb** capacity
- Dual front castors
- Electric upgrade to 24/7 electronics

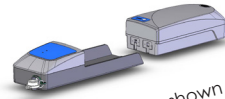
| **PL500EL**

| **PL500E-D**



NEW!

**CONTINUOUS
PERFORMANCE**



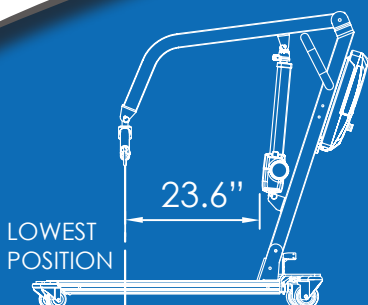
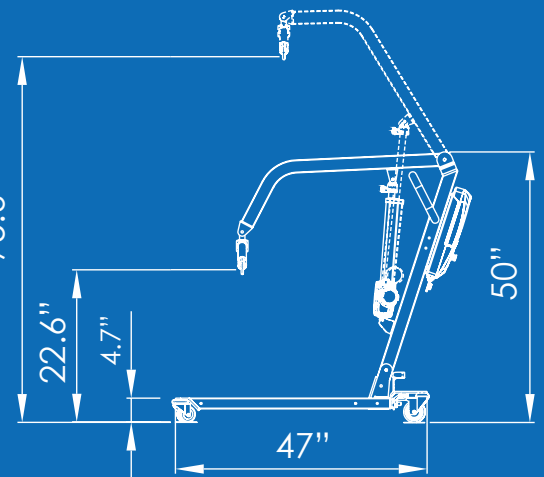
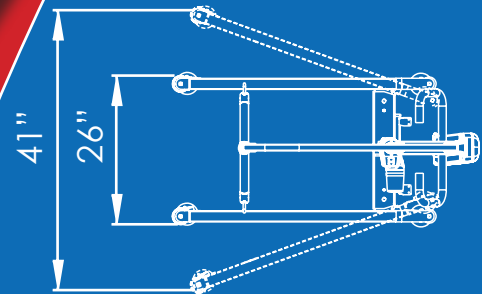
*charger shown
24/7 ELECTRONICS

| **DIMENSIONS**

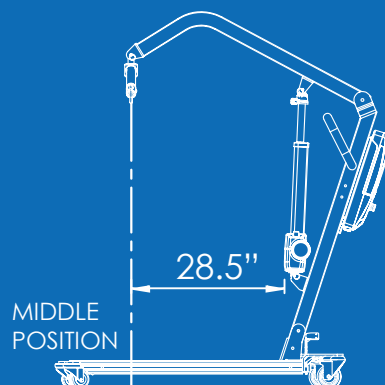
SPECIFICATIONS FOR PL500

maximum capacity	500Lb / 230Kg
base legs length	46.8"
base closed external width	26"
based open external width	41"
mast height	50"
base height	4.7"
min. lifting height	22.4"
max. lifting height	75.4"
distance from actuator (lowest)	23.6"
distance from actuator (middle)	28.5"
distance from actuator (highest)	9.8"

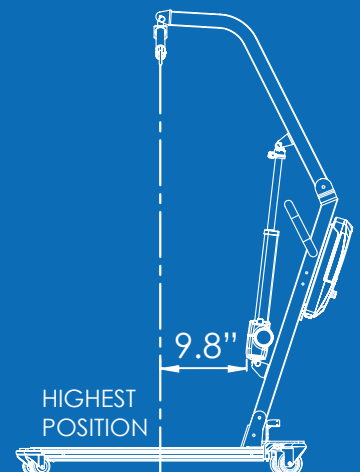
*** SPECIFICATIONS PROVIDED ARE A GENERAL GUIDELINE AND ARE SUBJECT TO CHANGE WITHOUT NOTICE**



LOWEST
POSITION



MIDDLE
POSITION



HIGHEST
POSITION